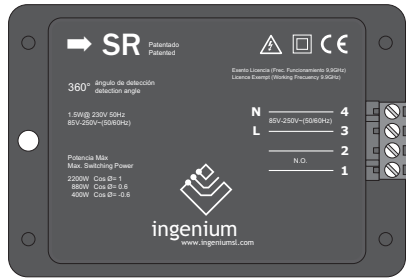


autonomous detector

➔ SR

Hidden 360° radiofrequency detector

For movement detection with concealed installation.



- Detects movement through solid, non-metallic objects (brick, wood, etc)
- Detects minimum movements
- Hidden installation in false ceilings or walls
- Autonomous operation (no BUSing® required)
- Automatic reset after detection
- Adjustable timer from pulse to 17 min.
- Adjustable sensitivity up to 12m
- Size: 100 x 75 x 35mm

Description

This is an autonomous device (no BUSing® required). It is designed to be connected to the lighting in transit areas, such as bathrooms, hallways or corridors and garages and installed in false ceilings and walls. Its hidden installation makes it immune to vandalism.

It can detect objects through non-metallic solids by using radio frequency technology. It is superior to infra-red detectors, from sensitivity to precision. It is practical, unobtrusive and easy to install and adds elegance to your lighting design.

Applicable power supplies depending on the load*

- Incandescent or halogen lamp 220V 2000W
- Incandescent 12V lamps containing mechanic transformer 1300W
- Incandescent 12V lamps containing electronic transformer 900W
- Fluorescent lamps not compensated 900W
- Fluorescent lamps compensated Low factor 400W
- High factor 58W - 3µF

*Estimated power calculated with the losses of each type of lighting.

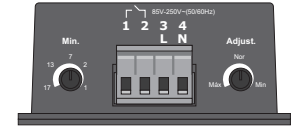
Technical Characteristics

Device Reference	Voltage Supply	Power Consumption	Maximum Detection Area	Secure Detec. Area	Adjustment Parameters	No. Outputs	Switching capacity
SR	85-265V AC	4.5mA @ 230V AC	12 x 6m	6x3m	Sensitivity/Time	1*	10A

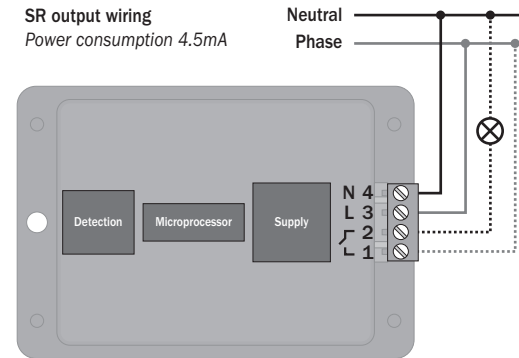
* voltage free, normally open relay.

➔ SR

Installation



SR output wiring
Power consumption 4.5mA



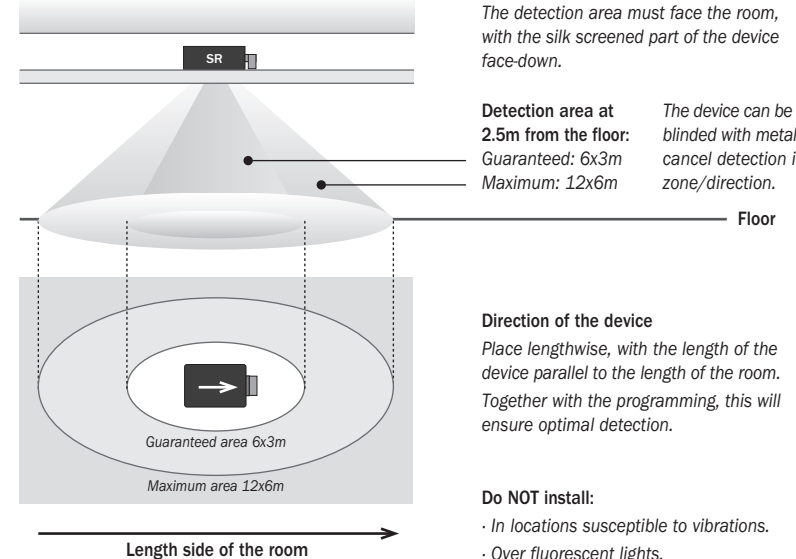
Timer adjustment (Min.)

- The timer adjuster regulates the time a load remains connected.
- Timers can be adjusted between 0.25secs (Pulse) and 17mins, at 4sec intervals.
- Minimum timings are obtained by turning the adjustment potentiometer clockwise.

Sensitivity adjustments (Adjust.)

- The sensitivity adjustment limits the degree of detection.
- Maximum distances that can be reached will depend upon the density of obstacles to penetrate (wood, plaster, brick, etc.).

Installation in a false ceiling



Detection area

The detection area must face the room, with the silk screened part of the device face-down.

Detection area at 2.5m from the floor:
Guaranteed: 6x3m
Maximum: 12x6m

The device can be partially blinded with metal tape to cancel detection in a zone/direction.

Direction of the device

Place lengthwise, with the length of the device parallel to the length of the room. Together with the programming, this will ensure optimal detection.

Do NOT install:

- In locations susceptible to vibrations.
- Over fluorescent lights.